

Mounting Brackets for Circuit Products Applicable Product: AZ mini Driver

MAFP06W-4

MAFP06W-6

This is a mounting bracket for installing an AZ mini driver on the side of a motor.



MAFP06W-4



MAFP06W-6

■ Features

- This allows AZ mini drivers to be mounted on the side of an AZ motor connector type.



□42 mm



□60 mm

● Easy mounting

Simply clamp the mounting bracket to the motor and tighten the two screws.



● Neat and easy wiring with just one cable

Length: 0.2 m and up

A single connection cable can be easily wired between driver motors, simplifying cable routing and saving space.

■ Product Line

| Product Name | List Price | Applicable Motor | Frame Size (mm) |
|------------------|------------|-----------------------------|-----------------|
| MAFP06W-4 | | AZ Motors Connector Type | 42 |
| MAFP06W-6 | | | 60 |

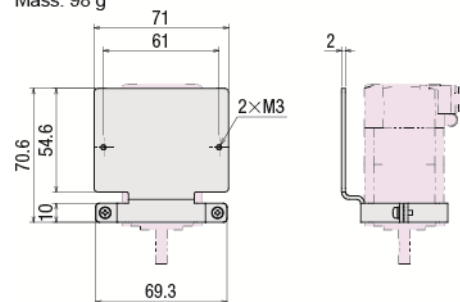
Material: SPCC

Surface Treatment: Cation Coating

■ Dimensions (Unit: mm)

MAFP06W-4

● Installation Screws: 2 screws included
Mass: 98 g



MAFP06W-6

● Installation Screws: 2 screws included
Mass: 117 g

